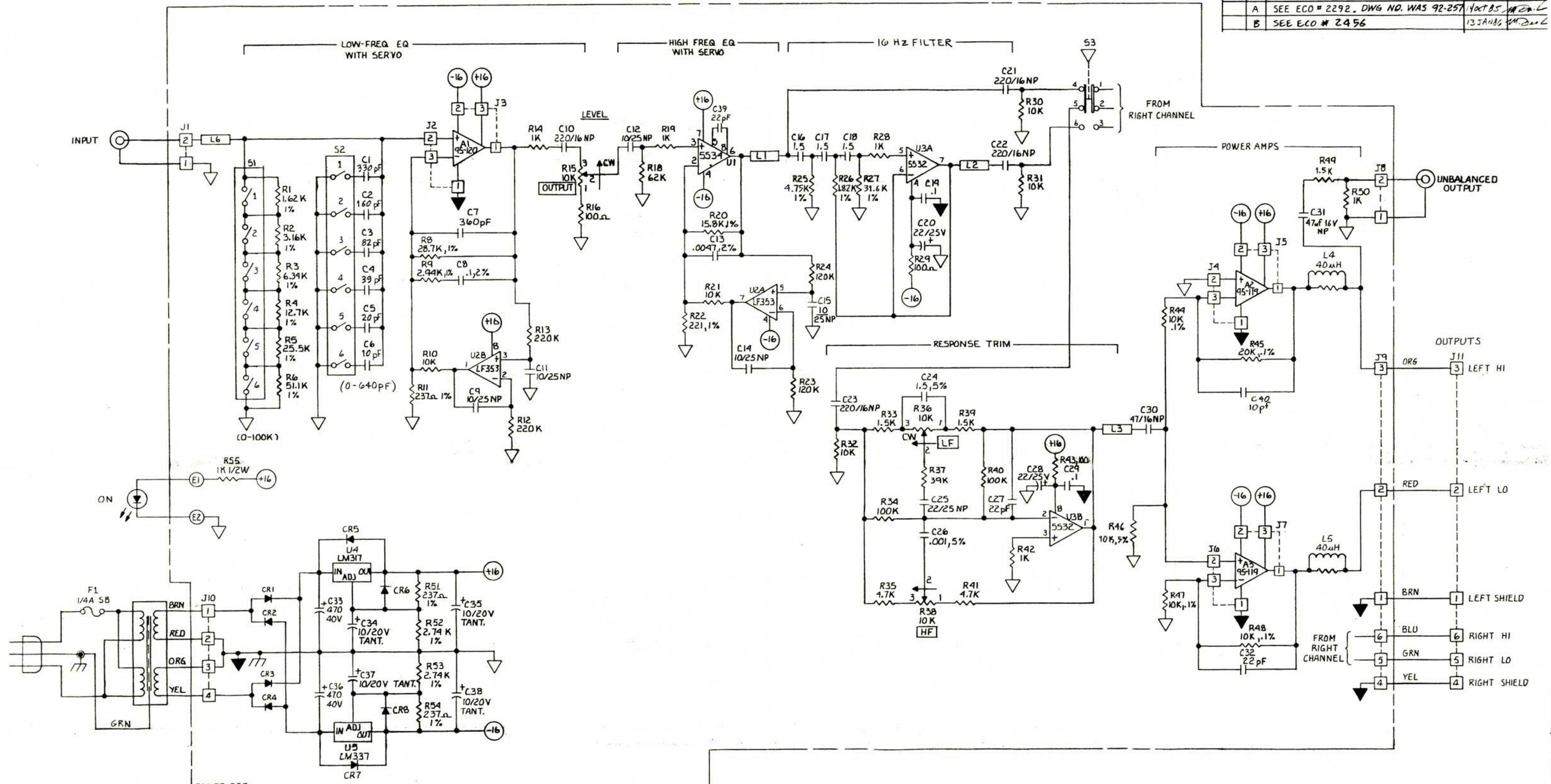
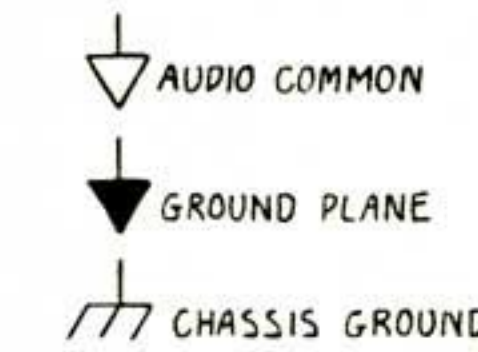


REVISIONS				
ZONE	LTR	DESCRIPTION	DATE	APPROVAL
		RELEASED	17 SEP 84	ML
A		SEE ECO # 2292. DWG NO. WAS 92-257	14 OCT 85	ML
B		SEE ECO # 2456	13 JAN 86	ML



7. NP = NON POLARIZED
 6. LEFT CHANNEL SHOWN, RIGHT CHANNEL HAS 100 SERIES DESIGNATORS. EXCEPT S3 AND ZONE B6+7
 5. FOR PCA SEE DWG NO. 95-258 LATEST REV.
 4. [] INDICATES FRONT PANEL CONTROL
 3. ALL DIODES ARE IN4001
 2. ALL CAPACITORS MEASURED IN MICROFARADS
 1. ALL RESISTORS ARE 1/4 W, 5%
 NOTES: UNLESS OTHERWISE SPECIFIED



QTY REQD		CODE IDENT	PART OR IDENTIFYING NO.	NOMENCLATURE OR DESCRIPTION
PARTS LIST				
UNLESS OTHERWISE SPECIFIED DIMENSIONS ARE IN INCHES TOLERANCES ARE:		CONTRACT NO.		
FRACTIONS	DECIMALS	ANGLES	APPROVALS	
±	XX ±	±	DATE	
±	XXX ±	±	DRAWN	
MATERIAL		CHECKED		
FINISH		DATE		
95-258		TX-990		
NEXT ASSY		USED ON		
APPLICATION		DO NOT SCALE DRAWING		

PACIFIC RECORDERS & ENGINEERING CORPORATION	
SCHEMATIC	
STEREO PHONOGRAM PREAMPLIFIER	
TX-990	
SIZE	CODE IDENT NO.
D	92-258
DRAWING NO.	REV
92-258	B
SCALE NONE	SHEET 1 OF 1